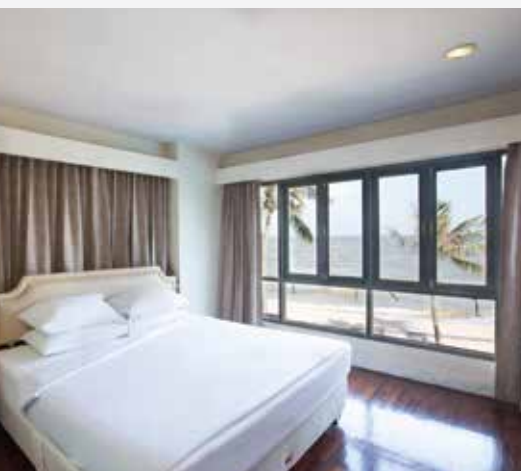




FACTSHEET



Petchaburi, Cha Am, Thailand



DELUXE ROOM TWIN



DELUXE ROOM KING



1 BEDROOM SUITE



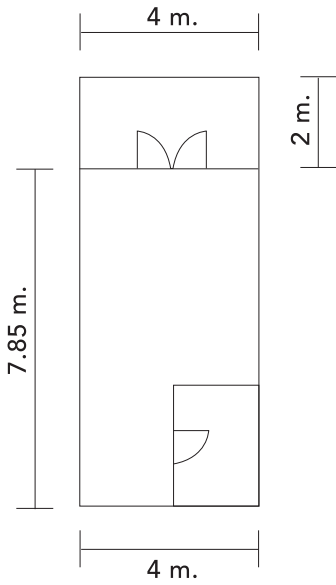
2 BEDROOM SUITE



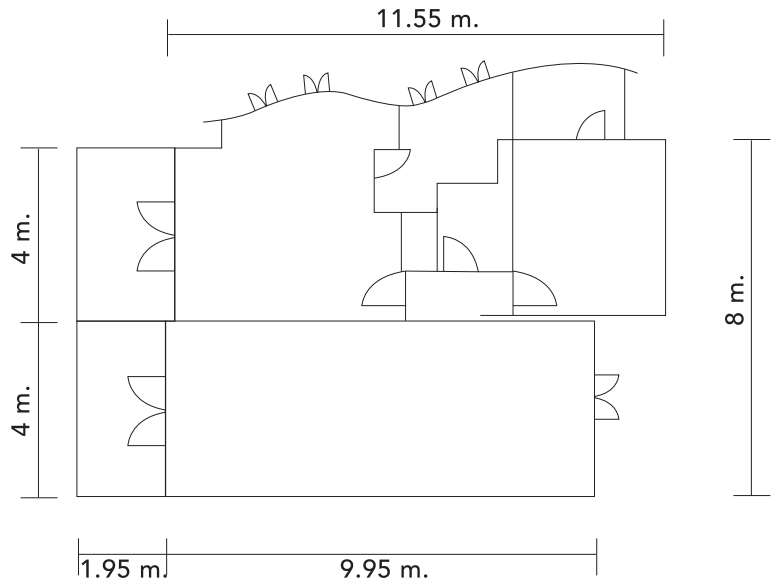
3 BEDROOM SUITE

ROOM FLOOR PLAN

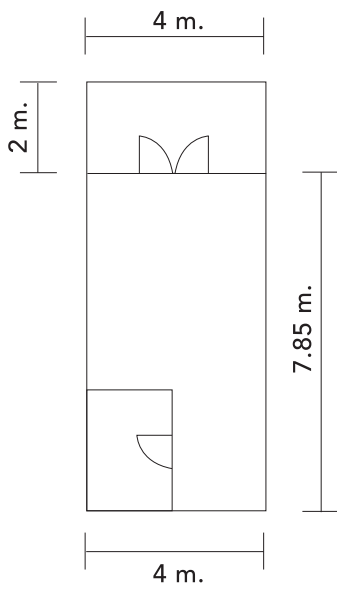
DELUXE ROOM



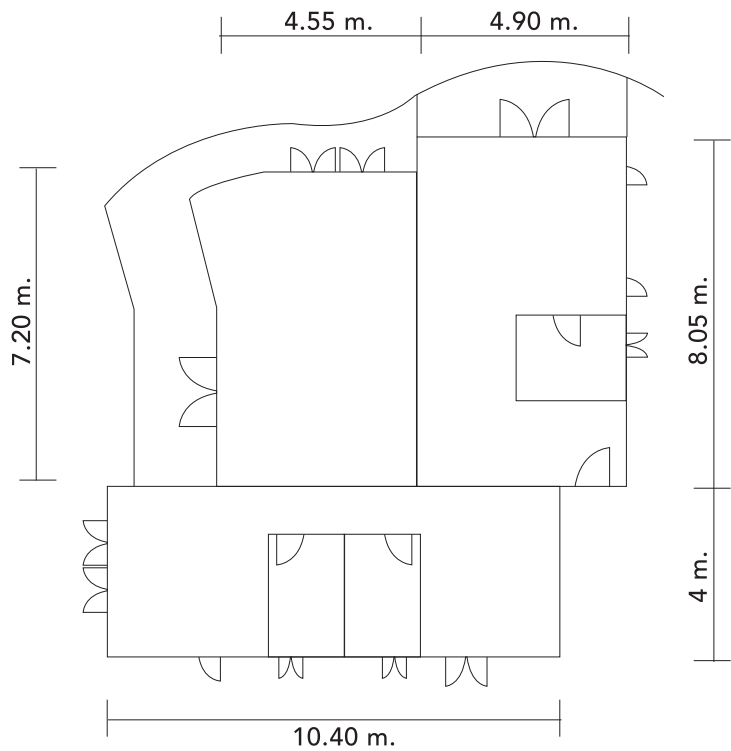
2 BEDROOM SUITE



DELUXE ROOM



3 BEDROOM SUITE





Escape to tropical seaside luxury and exclusivity at Baan Rom Mai Rim Haad Cha-Am Private Residence in the charming setting of Cha-Am, just a few hours from south of Bangkok. With its beachside location and landscaped infinity-edge swimming pool, days and nights are filled with pleasure for youngsters and grown-ups alike. Offering the low-rise 5-storey accommodation is the perfect solution for those who like to maintain their independence while on their travels or taking a weekend break.

ACCOMMODATION

Deluxe Room	40 sqm	23
1 Bedroom Suite	80 sqm	2
2 Bedroom Suite	113 sqm	2
3 Bedroom Suite	144 sqm	1

HOTEL FACILITIES

Swimming Pool	7.00 - 20.00 hrs.
Guest Parking	24.00 hrs.
Free Wifi	24.00 hrs.

ROOM FEATURES

Air Conditioning
Bathroom Amenities
Coffee and Tea
LED TV
Hairdryer
Safety Deposit Box
2 Complimentary Bottles of water Daily
Working Desk



ATTRACTIONS

Santorini Park	13.8 km.
Swiss Sheep Farm	12.8 km.
Maruekhathaiyawan palace	6.4 km.
Hua Hin Train Station	20.3 km.
Cicada Market	23.8 km.
Pleam Wan	18 km.
Hua Hin Night Market	19.7 km.



ADDRESS

BAAN ROM MAI RIM HAAD CHA-AM PRIVATE RESIDENCE
59 Soi Suansonloi Phekasem Road, Cha-Am Petchaburi 76120 Thailand

Sales Office:
Tel: 032-451323-5



www.baanrommai.com
@BaanRomMaiRimHaadChaam
Email: fobrm@baanrommai.com

Reservation Center
Tel: +66 (0) 2 237 7700 # 2561
Mon - Fri 08:30 - 17:00 hrs.
Email: rsvn@imperialhotels.com
www.imperialhotels.com